

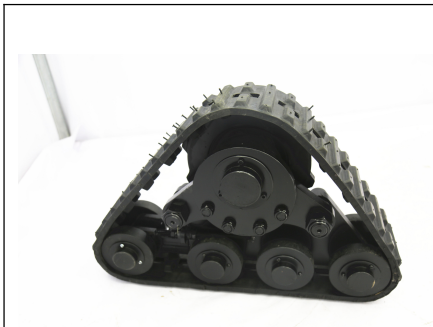
Shanghai Puyi Industrial Co., Ltd

130 Track System

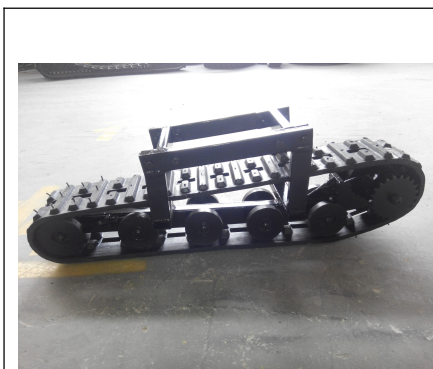


Model:	ZYW-130	Length:	840mm
		Width:	140mm
Package:	Bag/Pallet	Height:	445mm
Material:	Steel/Rubber/UHMW-PE	Net Weight:	21KG
Ground Contact Length:	540mm	Load-bearing weight:	200KG
Sprocket center to the ground:		300mm	
Rubber track link		25	

140 Track System




Model:	PY-140	Length:	650mm
		Width:	130mm
Package:	Bag/Pallet	Height:	400mm
Material:	Steel/Rubber/UHMW-PE	Net Weight:	15KG
Ground Contact Length:	420mm	Load-bearing weight:	150KG
Sprocket center to the ground:		300mm	
Rubber track link:		20	




Model:	LJL-140	Length:	920mm
		Width:	140/200mm
Package:	Bag/Pallet	Height:	310/210mm
Material:	Steel/rubber	Net weight:	23.8kg
Ground Contact Length:	700mm	Load-bearing weight:	300kg
Sprocket center to the ground:		110mm	
Application:		Agriculture vehicle	
Rubber track link:		24	

Shanghai Puyi Industrial Co., Ltd


148Track System

	Model:	ZGKD-148	Length:	800mm
			Width:	190mm
	Package:	Bag/Pallet	Height:	480mm
	Material:	Steel/Rubber/UHMW-PE	Net Weight:	45.6/unit
	Ground Contact Length:	650mm	Load-bearing weight:	300Kg
	Sprocket center to the ground:		340mm	
	Rubber track link:		32	

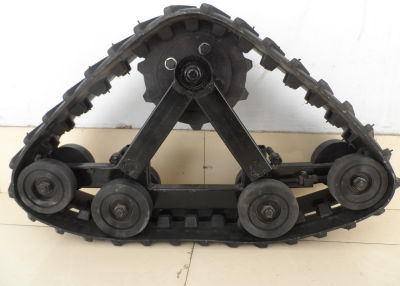
	Model:	LXH-148	Length:	870mm
			Width:	148mm
	Package:	Bag/Pallet	Height:	470mm
	Material:	Steel/Rubber/UHMW-PE	Net Weight:	58.45kg/unit
	Ground Contact Length:	710mm	Load-bearing weight:	300KG
	Sprocket center to the ground:		330mm	
	Rubber track link:		34	

	Model:	WZH-148	Length:	1040mm
			Width:	230mm
	Package:	Bag/Pallet	Height:	630mm
	Material:	Steel/Rubber/UHMW-PE	Net Weight:	58.45kg
	Ground Contact Length:	900mm	Load-bearing weight:	300KG
	Sprocket center to the ground:		500mm	
	Rubber track link:		42	


Shanghai Puyi Industrial Co., Ltd

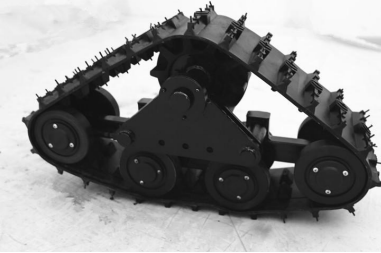
	Model:	LHW-148	Length:	880mm
			Width:	148mm
	Package:	Bag	Height:	580mm
	Material:	Steel /rubber/ UHMW-PE	Net weight:	30.5KG/u nit
	Ground Contact Length:	25mm	Load-bearing:	300KG
	Sprocket center to the ground:		268mm	

160Track System


	Model:	PY-160	Length:	780mm
			Width:	160mm
	Package:	Bag/Pallet	Height:	480mm
	Material:	Steel/Rubber	Net Weight:	25KG/unit
	Ground Contact Length:	420mm	Load-bearing weight:	200KG
	Sprocket center to the ground:		350mm	
	Rubber track link:		32	

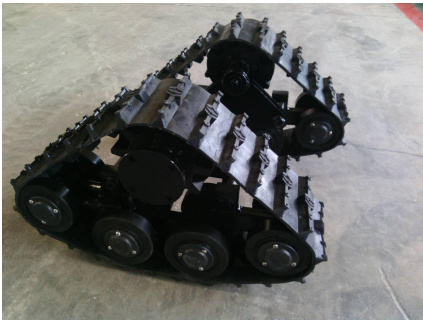
180Track System

	Model:	PY-180	Length:	885mm
			Width:	280mm
	Package:	Bag/Pallet	Height:	430mm
	Material:	Steel/Rubber	Net Weight:	30kg/unit
	Ground Contact Length:	480mm	Load-bearing weight:	300kg
	Sprocket center to the ground:		300mm	
	Rubber track link:		29	


	Model:	HJD-180	Length:	820mm
			Width:	270mm
	Package:	Bag/Pallet	Height:	440mm
	Material:	Steel/Rubber	Net Weight:	29.75KG/unit
	Ground Contact Length:	450mm	Load-bearing weight:	300KG
	Sprocket center to the ground:		295mm	
	Rubber track link:		27	

Shanghai Puyi Industrial Co., Ltd

	Model:	PY-180A	Length:	710mm
			Width:	180mm
	Package:	Bag/Pallet	Height:	480mm
	Material:	Steel/Rubber	Net Weight:	31.05kg/unit
	Ground Contact Length:	410mm	Load-bearing weight:	300KG
	Sprocket center to the ground:		360mm	
	Rubber track link:		24	

	Model:	PY-XJY-180	Length:	785mm
			Width:	180mm
	Package:	Bag/Pallet	Height:	430mm
	Material:	Steel/Rubber	Net Weight:	28.7KG
	Ground Contact Length:	350mm	Load-bearing weight:	300KG
	Sprocket center to the ground:		300mm	
	Rubber track link:		25	

Special Customized SingleTrack System

	Model:	PY-280	Length:	850mm
			Width:	280mm
	Package:	Bag/Pallet	Height:	270mm
	Material:	Steel/Rubber/UHMW-PE	Net Weight:	37.5KG/unit
	Ground Contact Length:	580	Load-bearing weight:	200kg
	Sprocket center to the ground:		135mm	
	Rubber track link:		22	

	Model:	YCL-130	Length:	727mm
			Width:	300mm
	Package:	Bag/Pallet	Height:	305mm
	Material:	Steel/Rubber	Net Weight:	18.65KG/unit
	Ground Contact Length:	550mm	Load-bearing weight:	200KG
	Sprocket center to the ground:		155mm	

Shanghai Puyi Industrial Co., Ltd



Model:	PY-130	Length:	670mm
		Width:	130mm
Package:	Bag/Pallet	Height:	400mm
Material:	Steel/Rubber /UHMW-PE	Net Weight:	15KG/unit
Ground Contact Length:	420mm	Load-bearing weight:	200KG
Sprocket center to the ground:	300mm		